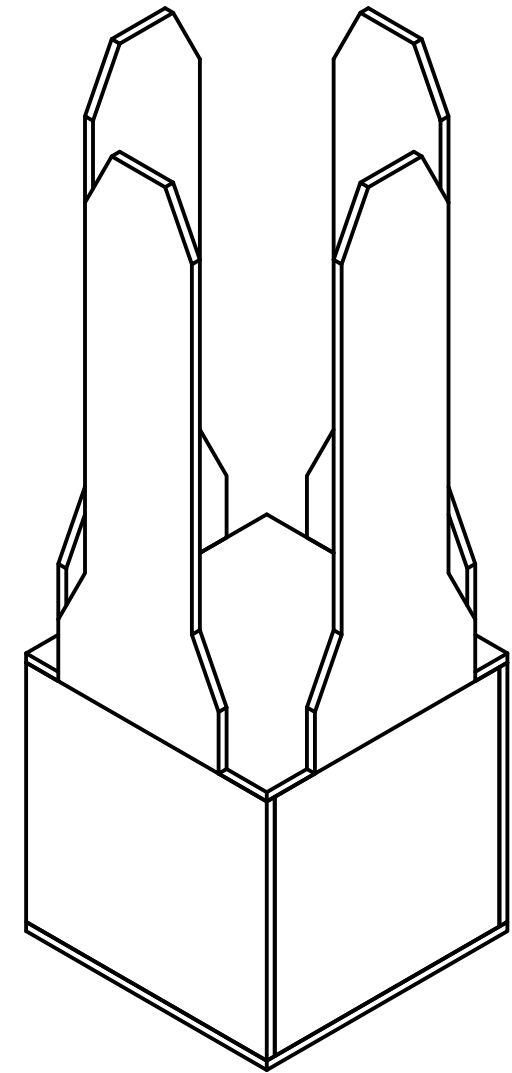
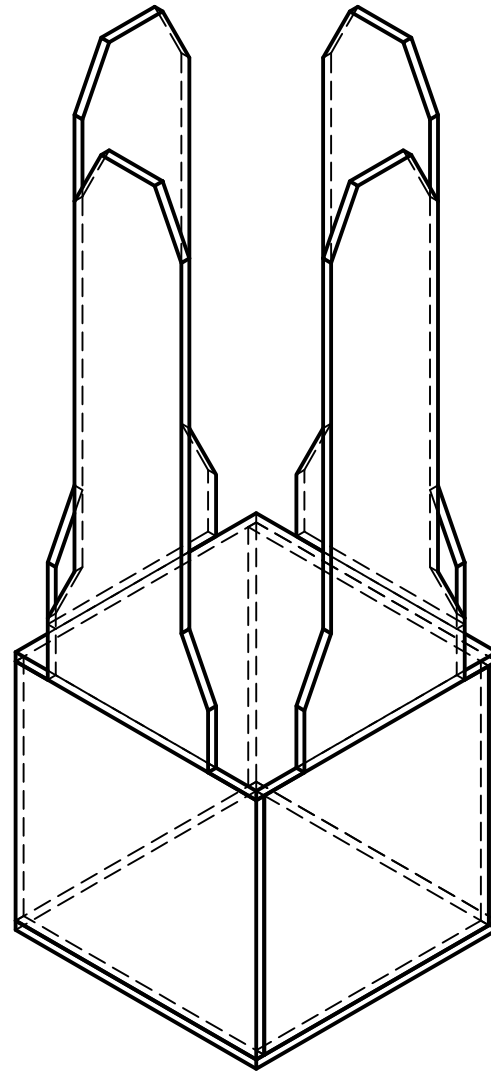
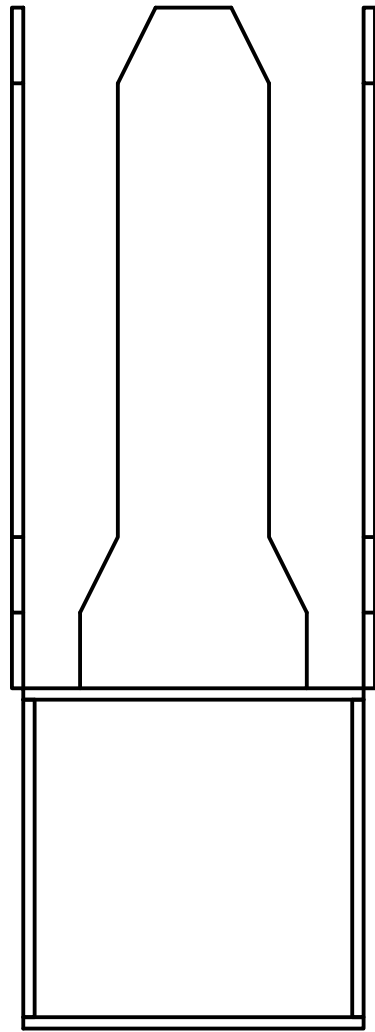
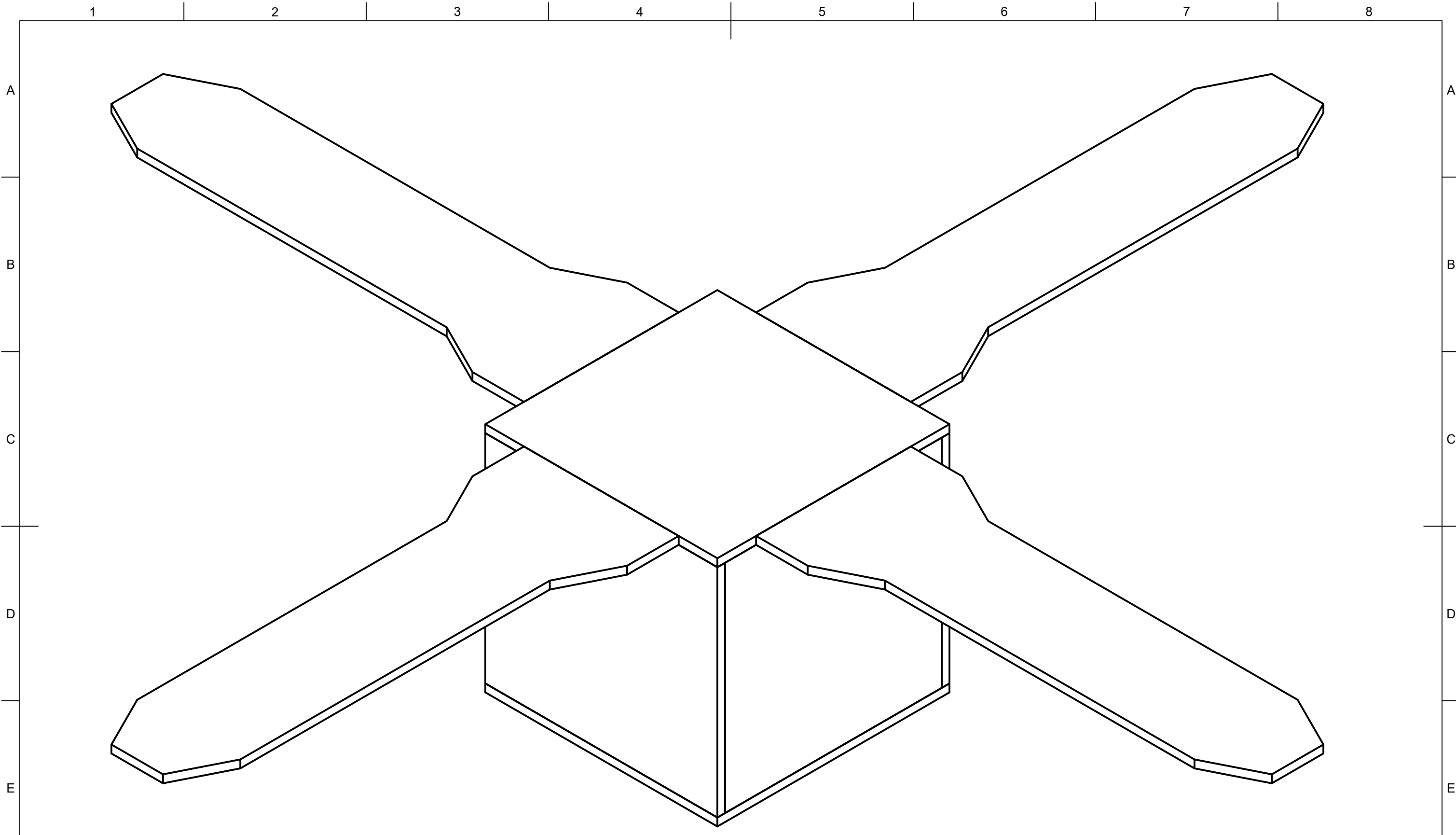


Payload Individual Views



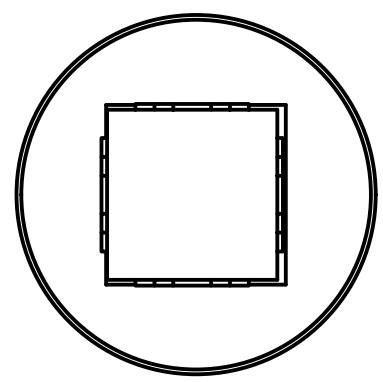
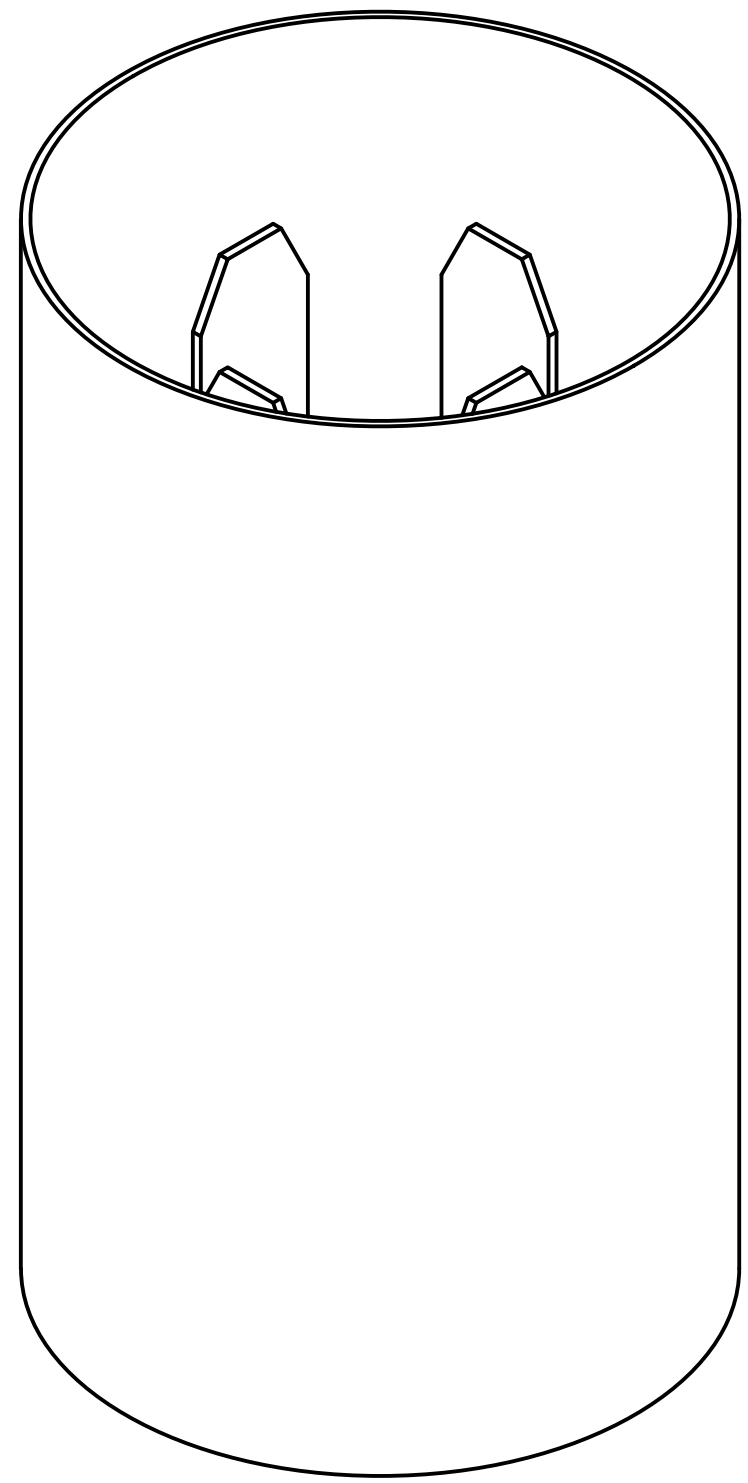
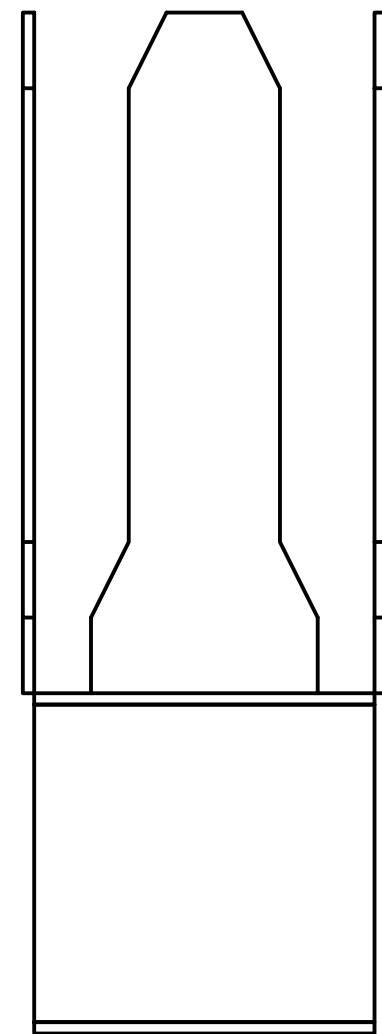
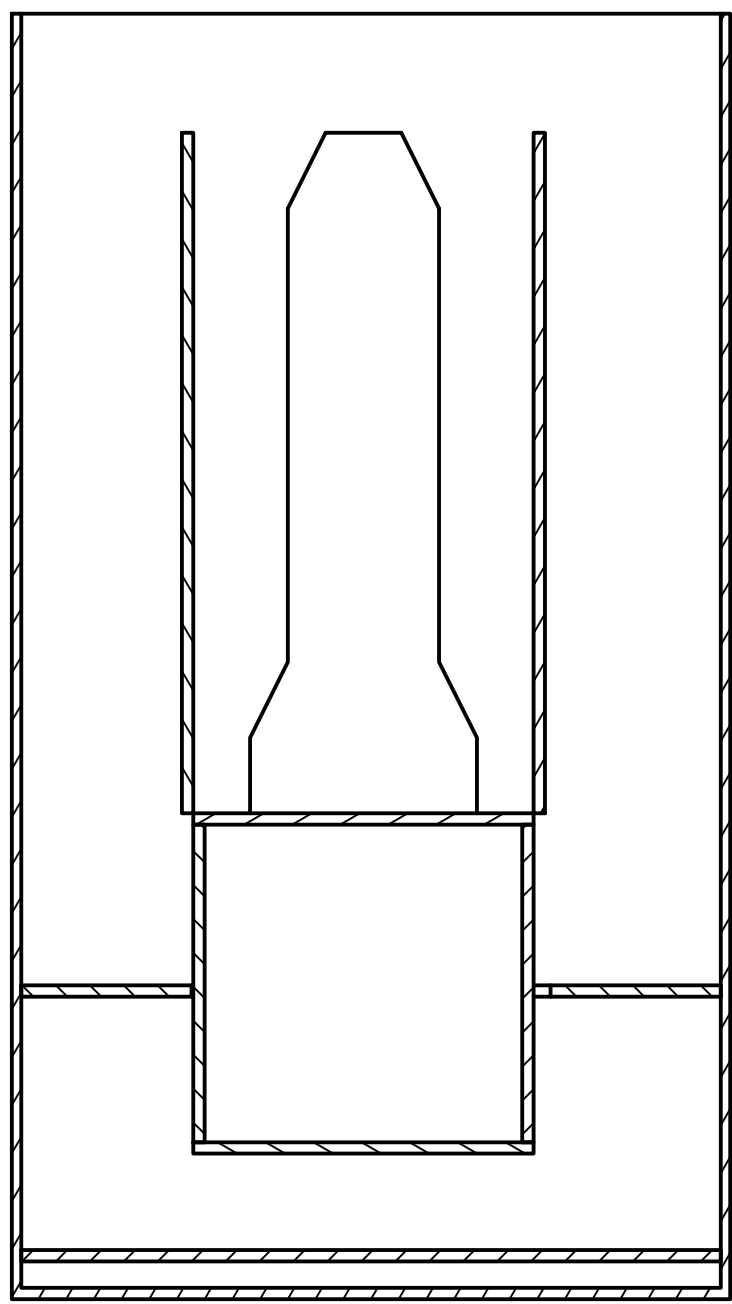
Dept.	Technical reference	Created by Daniel Wood 11/2/2020	Approved by
		Document type	Document status
		Title Drone-Lander Assembly	DWG No.
		Rev.	Date of issue
			Sheet 1/7



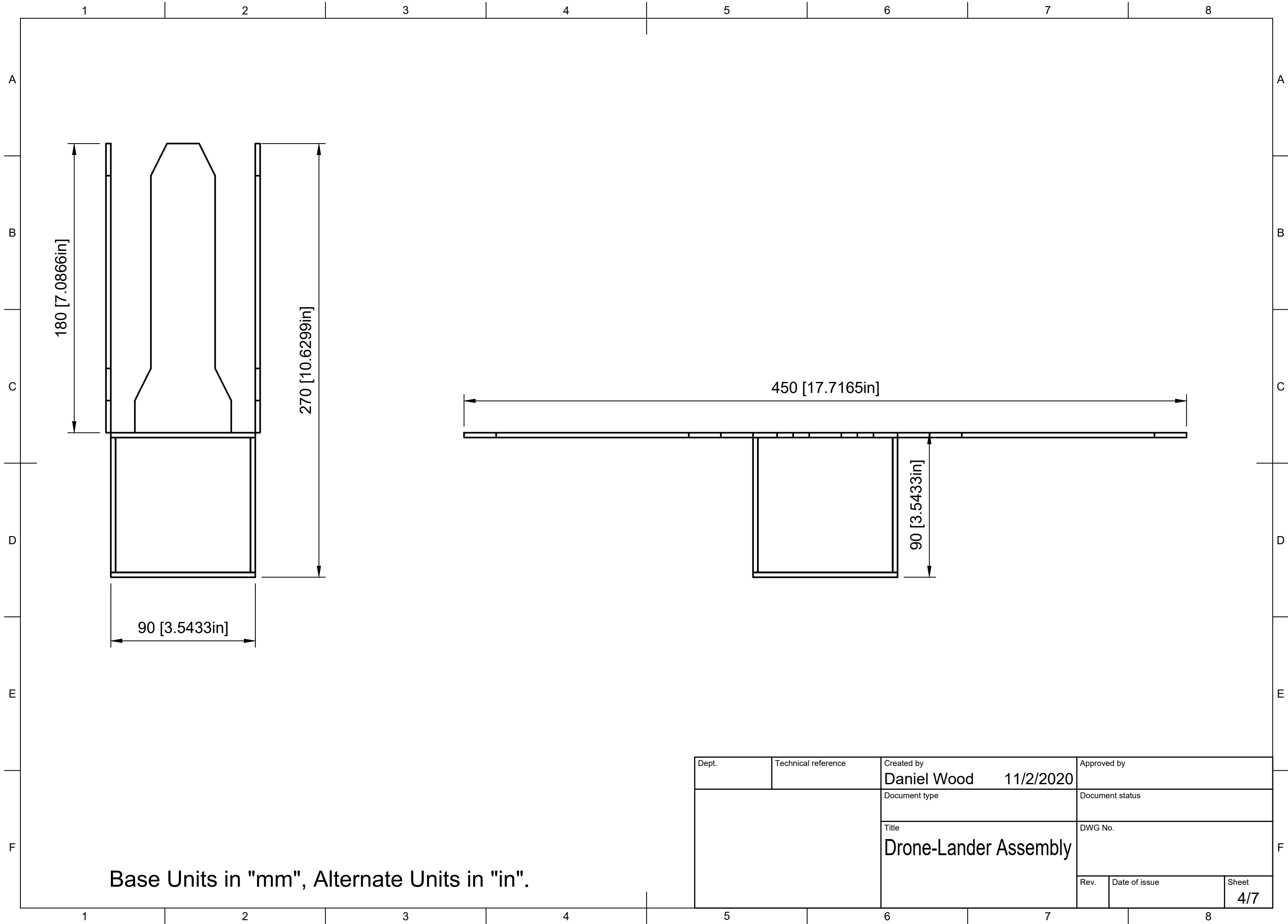
Dept.	Technical reference	Created by Daniel Wood 11/2/2020	Approved by
		Document type	Document status
		Title Drone-Lander Assembly	DWG No.
	Rev.	Date of issue	Sheet 2/7

Payload In Dock

A-A (1:2)



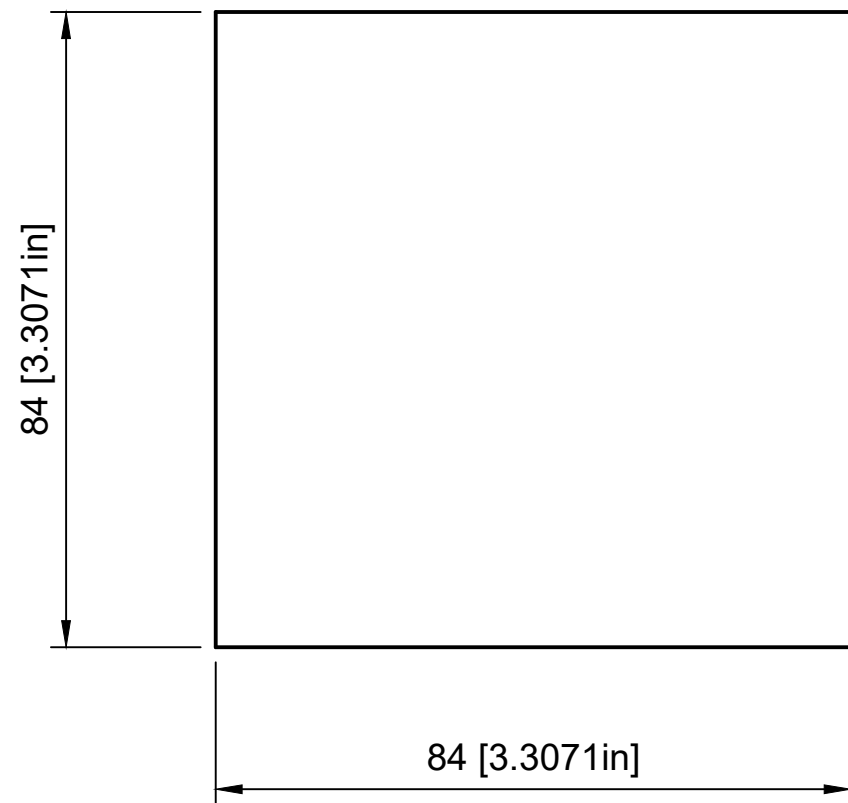
Dept.	Technical reference	Created by Daniel Wood 11/2/2020	Approved by
		Document type	Document status
		Title Drone-Lander Assembly	DWG No.
Rev.	Date of issue	Sheet 3/7	



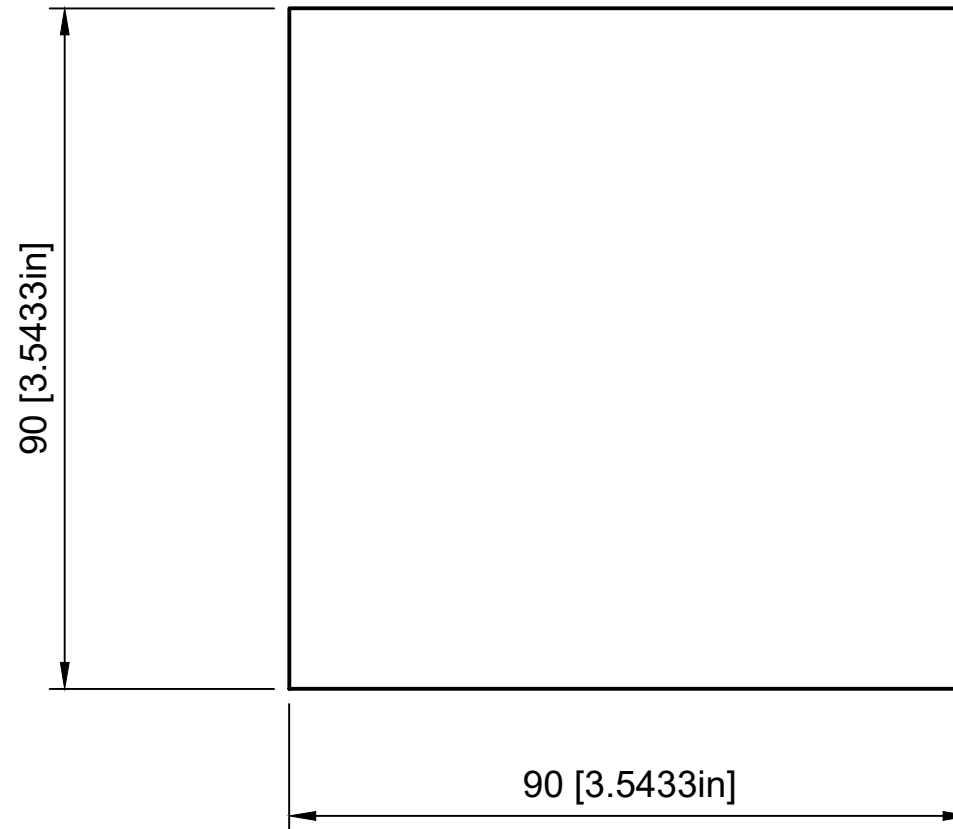
Base Units in "mm", Alternate Units in "in".

Dept.	Technical reference	Created by Daniel Wood 11/2/2020	Approved by
		Document type	Document status
		Title Drone-Lander Assembly	DWG No.
	Rev.	Date of issue	Sheet 4/7

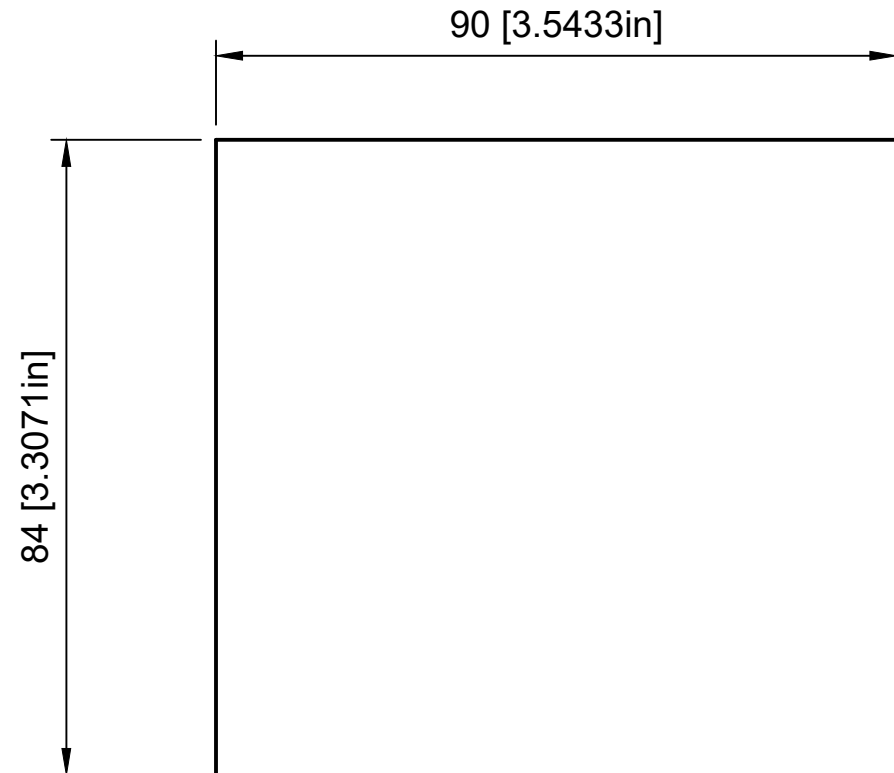
Left and Right Plate



Top and Bottom Plate



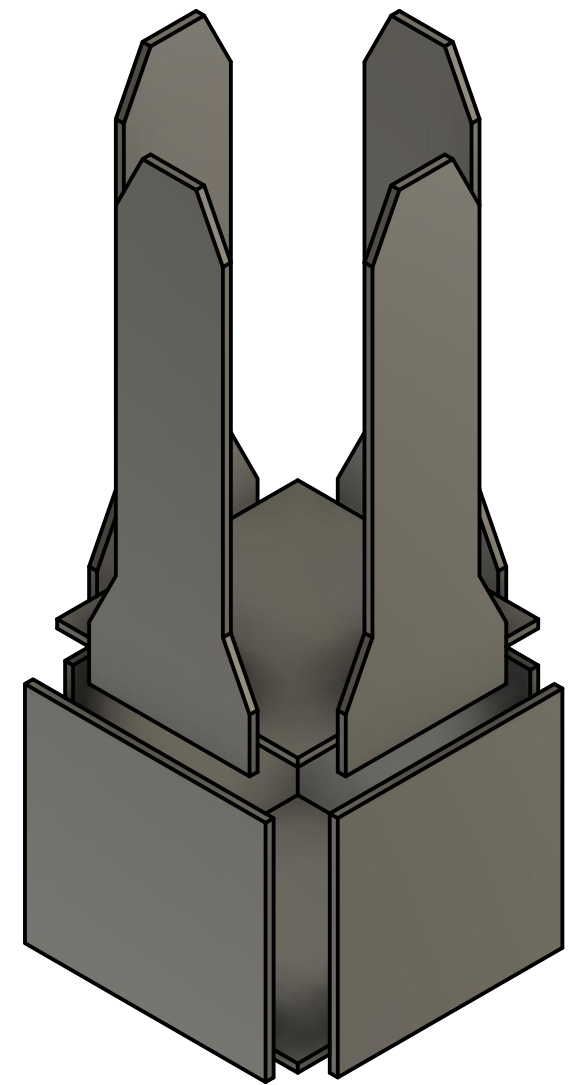
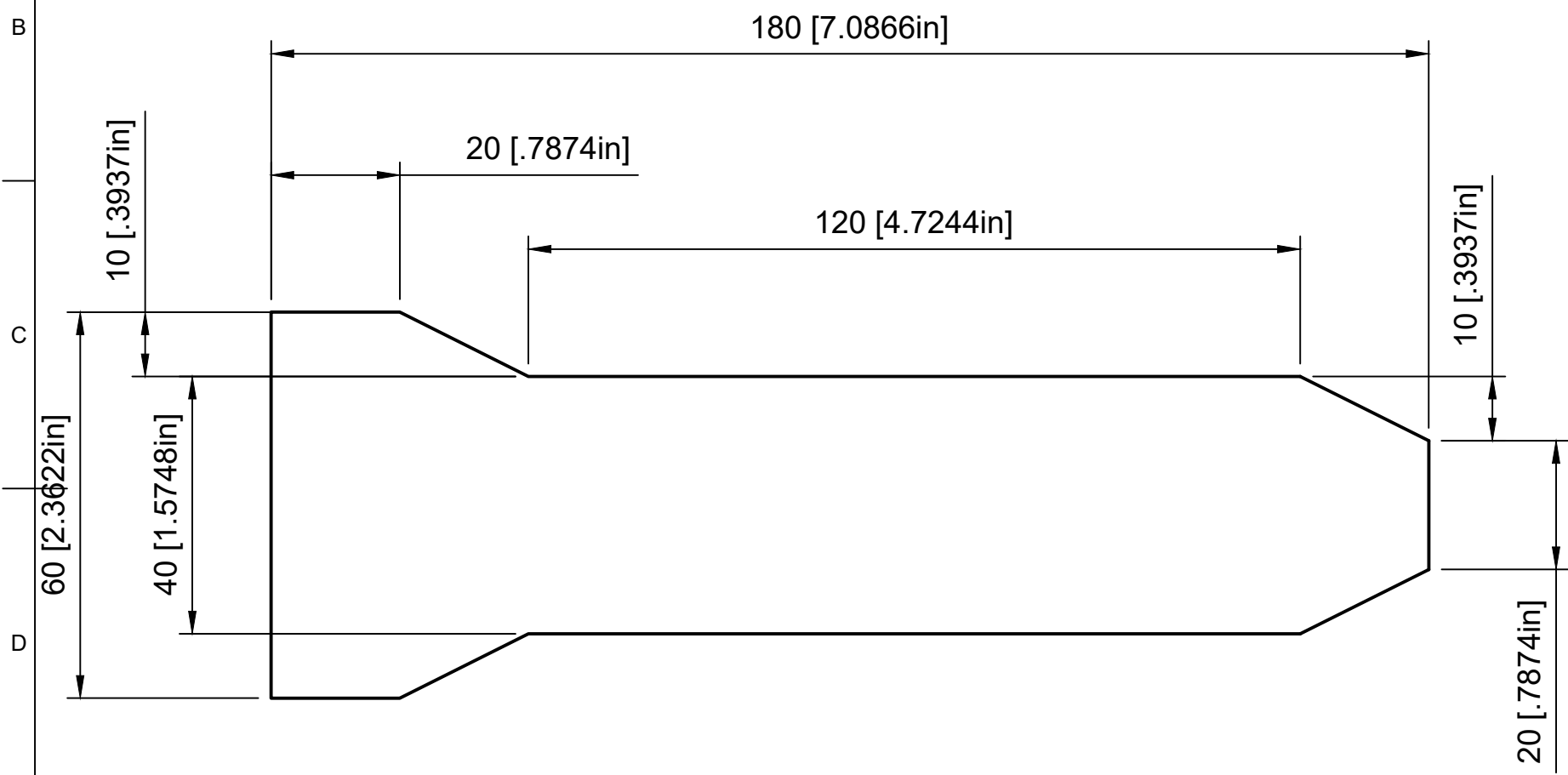
Forward and Back Plate



Base Units in "mm", Alternate Units in "in".
All plates are 3mm thick.

Dept.	Technical reference	Created by Daniel Wood 11/2/2020	Approved by
		Document type	Document status
		Title Drone-Lander Assembly	DWG No.
		Rev.	Date of issue
		Sheet 5/7	

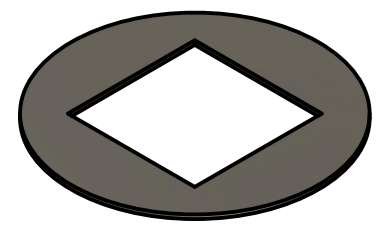
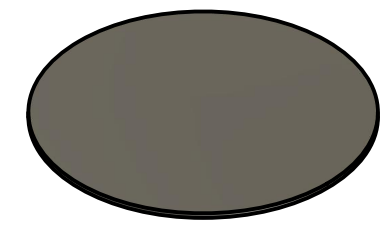
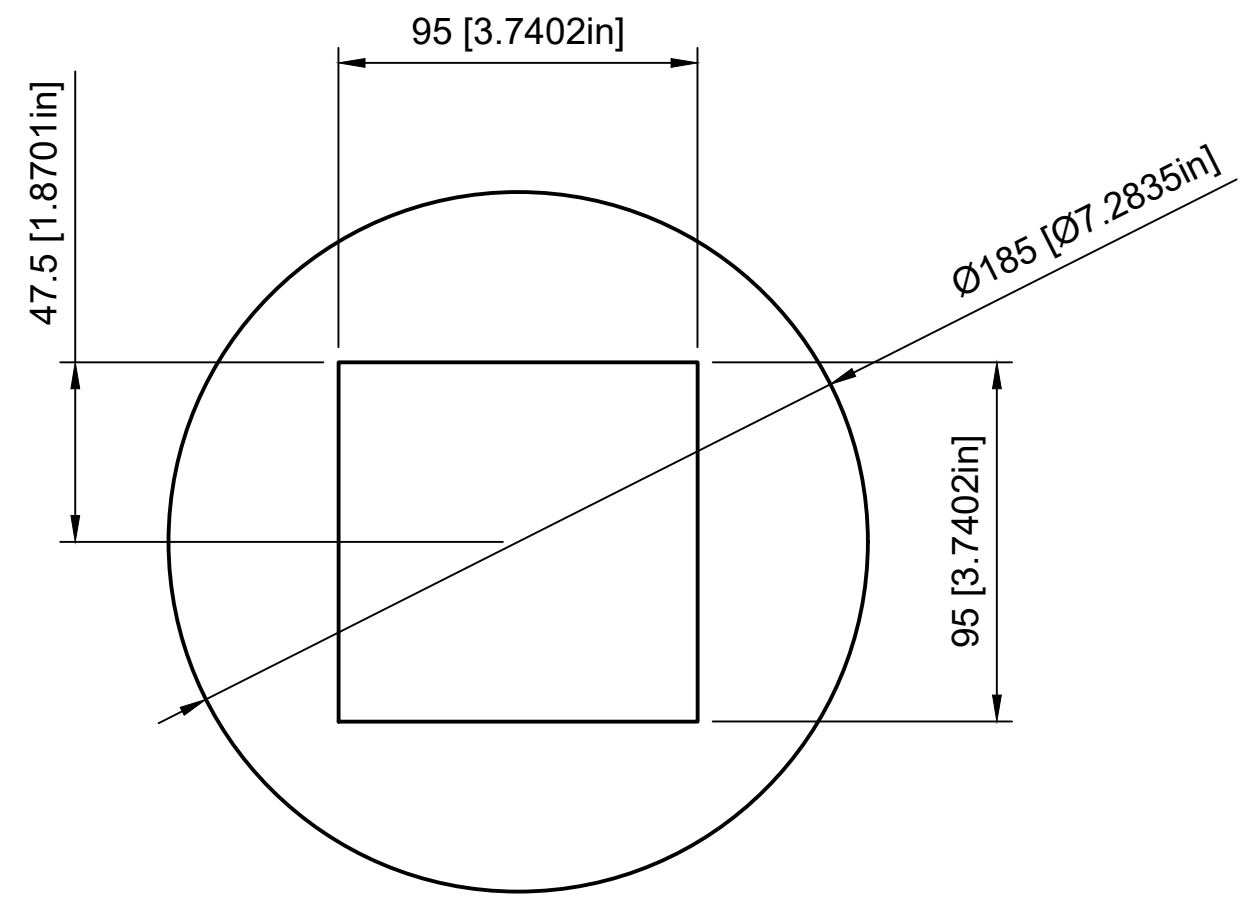
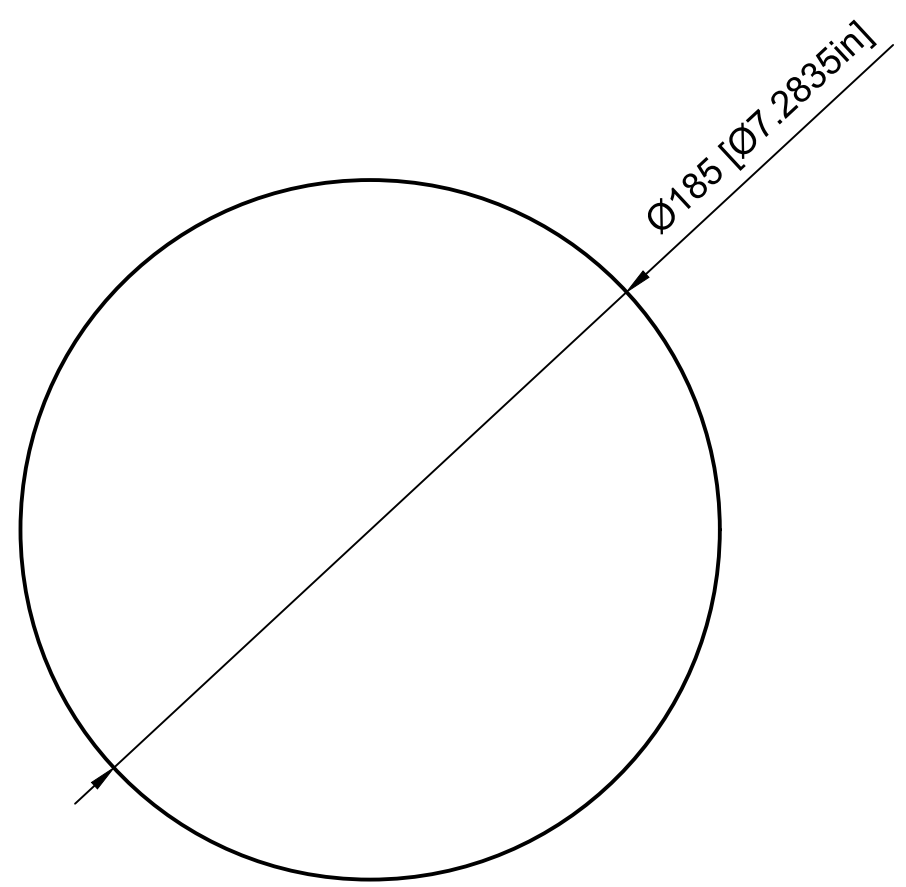
Arm Assembly



Base Units in "mm", Alternate Units in "in".
All plates are 3mm thick.

Dept.	Technical reference	Created by Daniel Wood 11/2/2020	Approved by
		Document type	Document status
		Title Drone-Lander Assembly	DWG No.
		Rev.	Date of issue
		Sheet 6/7	

Dock Locking and Bottom Plates



Base Units in "mm", Alternate Units in "in".
All plates are 3mm thick.

Dept.	Technical reference	Created by Daniel Wood 11/2/2020	Approved by
		Document type	Document status
		Title Drone-Lander Assembly	DWG No.
	Rev.	Date of issue	Sheet 7/7